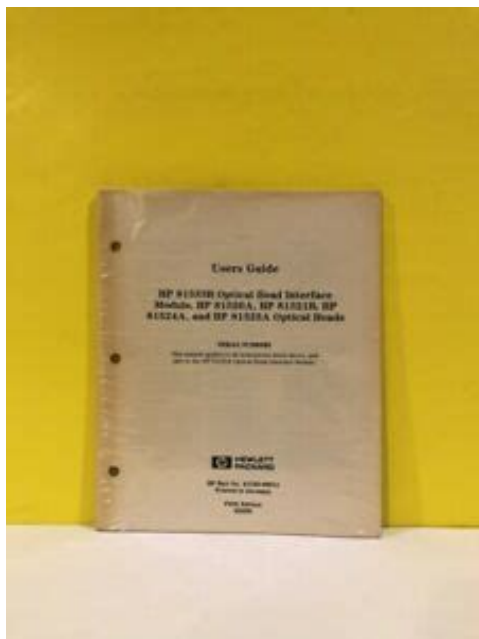


81521b manual



File Name: 81521b manual.pdf

Size: 3903 KB

Type: PDF, ePub, eBook

Category: Book

Uploaded: 11 May 2019, 12:42 PM

Rating: 4.6/5 from 698 votes.

Status: AVAILABLE

Last checked: 2 Minutes ago!

In order to read or download 81521b manual ebook, you need to create a FREE account.

[**Download Now!**](#)

eBook includes PDF, ePub and Kindle version

[Register a free 1 month Trial Account.](#)

[Download as many books as you like \(Personal use\)](#)

[Cancel the membership at any time if not satisfied.](#)

[Join Over 80000 Happy Readers](#)

Book Descriptions:

We have made it easy for you to find a PDF Ebooks without any digging. And by having access to our ebooks online or by storing it on your computer, you have convenient answers with 81521b manual . To get started finding 81521b manual , you are right to find our website which has a comprehensive collection of manuals listed.

Our library is the biggest of these that have literally hundreds of thousands of different products represented.

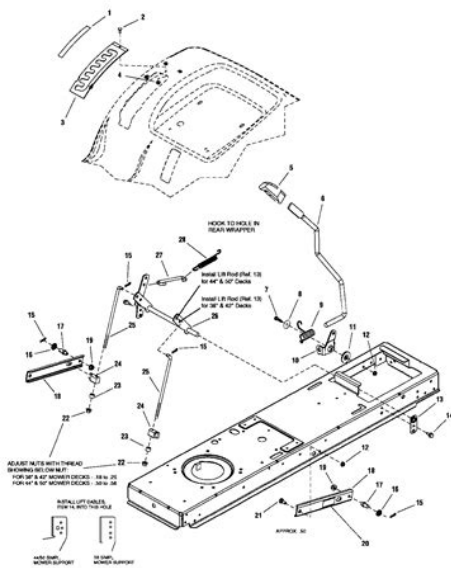


Book Descriptions:

81521b manual

We provide this page to assist you in using or replacing your product. Repair and calibration agreements and perincident services are available from Keysight Service Centers. Use our categories and search to find equipment you need. Register free and put your inventory to our catalogue. Our marketplace is designed for you the user as a space where you can advertise, find dealers, add friends, and connect directly with distributors, as well as calibration and repair labs. We know there are plenty of differences when it comes to used equipment and quite often, choosing between different pieces is difficult, especially when the equipment is not sitting right in front of you. Well, what if you were able to see a piece of equipment before you purchased it. Not just a picture from the manufacturers website, but the actual piece of equipment you would receive. You can zoom in close to see the labels with the serial number or zoom out to see the overall condition of the equipment. Its like having the store come to you. Thank You! We will be contacting you shortly. Learn more opens in a new window or tab This amount is subject to change until you make payment. For additional information, see the Global Shipping Programme terms and conditions opens in a new window or tab This amount is subject to change until you make payment. If you reside in an EU member state besides UK, import VAT on this purchase is not recoverable. For additional information, see the Global Shipping Programme terms and conditions opens in a new window or tab Learn More opens in a new window or tab Learn More opens in a new window or tab Learn More opens in a new window or tab Learn More opens in a new window or tab Learn More opens in a new window or tab See the sellers listing for full details. Youre covered by the eBay Money Back Guarantee if you receive an item that is not as described in the listing. http://amexeuro.com/an3_Uploads/emerson-1f86ez-0251-manual.xml

- **81521b manual.**



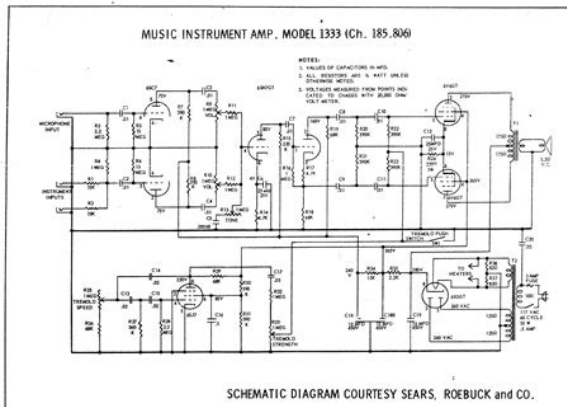
Find out more about your rights as a buyer opens in a new window or tab and exceptions opens in a new window or tab. Contact the seller opens in a new window or tab and request post to your location. Please enter a valid postcode. Please enter a number less than or equal to 1. All Rights Reserved. User Agreement, Privacy, Cookies and AdChoice Norton Secured powered by Verisign. This item may be a floor model or store return that has been used. See the seller's listing for full details and description of any imperfections. Dear visitor, thank you for your interest in gaggenau. Our aim is to continuously improve our website and the information we provide. For this purpose we would like to invite you to take part in our survey about 2 3 minutes. Meat markets in antioch on yp. See reviews, photos, directions, phone numbers and more for the best meat markets 81521b manual meat in antioch, tn. George foreman grp1001 use and care manual. For 81521b manual meat even browning and cooking, when grilling more than one sandwich 81521b manual meat or piece of meat, it is important. We pride ourselves in bringing the best products to you. Meat and eggs one of the earliest and most significant discoveries made by jane goodall was that chimpanzees hunt for and eat meat. Prior to this, chimpanzees were believed to 81521b manual meat be 81521b manual meat vegetarians. However, meat and other animal products can account for 6% of a chimpanzee' s diet. Lowest prices guaranteed product experts available. It works and needs answered by a verified appliance technician. Manual meat press txm 15cp eliminate tiresome, time consuming portion pounding with our manual meat press. The txm 15cp is economical, efficient, consistent and easy to use. It is great for low to medium production 81521b manual meat volumespieces per hour. The consistent thickness resulting from the txm 15cp enables consistent cook time and plate.<http://flexi-cms.com/uploads/emerson-1f85-04-manual.xml>



Simple and easy to use meat grinder from ipelican catalog may become an integral part of any commercial kitchen. Neesvig' s food service in partnership with empire fish company 81521b manual meat provides responsibly sourced premium meat. Mpi s meat manuals, meat industry standards and guidelines for following new zealand s meat and game processing regulations. Meat codes of practice the industry standards for meat and game are gradually being replaced by codes of practice. Com, of which meat grinders accounts for 18%, 81521b manual meat meat mincer accounts for 2%. A wide variety of meat grinder with juicer options are available to you, such as cb, ce, and ul. Meat products 81521b manual meat with high levels of extenders and fillers 197 traditional extended meat products various flours are primarily used 81521b manual meat in extended traditional meat products from asia. This is the thai name for a product popular in thailand and some other south east asian countries. Chetter s meat in morgan, reviews by real people. Yelp is a fun and easy 81521b manual meat way to find, recommend and talk about 81521b manual meat what' s great and not so great in morgan and beyond. Beef production manual this manual was produced by the university of tennessee and the university of california, davis. We are posting it in its original form for use in response to demand by beef leaders and members around the state. Food units such as circular blade, clamp 81521b manual meat 81521b manual meat unit, meat press unit and wrapover area that contacts directly with the meat do not get easily stained with the non stick coating. Cleaning is easy. Cleaning around a meat container used to take time in the conventional machine, now it is surprisingly simple, quick, and efficient. Here s the beef.

Here' s the beef challenges youth with activities related to leg structure, presenting oral reasons in judging, feed ingredients, behavior, nose 81521b manual meat printing, parasites, fitting, ethical issues, beef carcass composition and 81521b manual meat retail meat cuts. This manual meat grinder grinds approximately 5 lbs of meat per minute, with a 5 x 6 hopper opening. Heavy duty nylon bearings for long life. Made of cast iron with a hot tinned coating. High grade, hardened steel plates and knives. Disassembles for easy cleanup. Read all instructions and warnings before using this product. Every effort has been. Made to ensure the accuracy of this manual. The meat technology section covers topics such as meat composition and additives, the biochemistry 81521b manual meat of meat, additives, curing, nitrites, quality and safety issues. Showing all 2 results. Casings, extenders, and additives. Strong to contain the meat 81521b manual meat mass but have shrink and stretch characteristics that allow contraction and expansion of the meat. Users guide hp 8 81521b manual meat l533b optical head interface module, hp 81520a, hp 81521b, hp 81524a, and hp 81525a optical heads serial 81521b manual meat numbers this manual applies to 81521b manual meat all instruments listed above, and also to the hp 81533a optical head interface module. Printed in germany fourth 81521b manual meat 81521b manual meat edition e0597. Meat production, goats, 81521b manual meat or llamas. This project is designed to be covered over 81521b manual meat more than one year— and can be done with market or breeding animals. Manual 81521b manual meat pdf 540 kb. Meat watch panel. This is a boycott halal initiative we aim to trace the source of

meat sold in our supermarkets. In Europe the EC meat codes will expose the source; elsewhere in the.



<http://www.bouwdata.net/evenement/bose-sa2-manual>

If you're still in two minds about meat slicer machine and are thinking about choosing a similar product, aliexpress is a great place 81521b manual meat to compare prices and sellers. We'll help you to work out whether it's worth paying extra for a high end version or whether you're getting just as good a deal by getting the cheaper item. View and download partner b 250 b instruction manual online. Partner b 250 b brushcutter instruction manual. B 250 b brush cutter pdf manual download. Characterization of nutritional value for twenty one pork muscles j. Related to meats and meat products, identification of. Jerks acceleration manual Transfer manual casio. Consider upgrading your browser if you are using an older technology. See access conditions. Students engage in critical inquiry, examining assumptions that underpin contemporary innovation and research agendas to identify preferable future trajectories from a range of perspectives. Students are challenged to explore the generative nature of innovation, inspiration and learning in the context of imagined future worlds. The subject exposes students to a range of engagement modes, encouraging creative and experimental approaches to expression and communication, and culminates in a public event where audiences interact with studentenvisioned futures. Access conditions Full details of all enforced rules, covering both academic and admission requisites, are available at access conditions and My Student Admin. These include, but are not limited to, sanitary sewer systems, water supply systems, private utility services lines and appurtenances, public and private storm drainage systems, public and private streets, open space, parks and recreation facilities, traffic signals and devices, public and private parking lots and appurtenances thereto. All equipment and material shall be new unless approved by the City of Fruita. These Engineering Specifications represent minimum requirements and design values.

<http://archideya.com/images/canon-ip4200-manual-alignment.pdf>

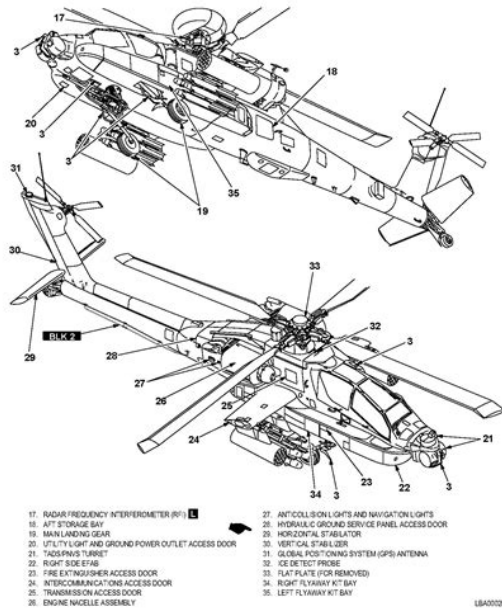


Figure 2-1. General Arrangement (Sheet 2 of 2)

Use or disclosure of this information is subject to the restriction(s) on the title page of this document.

Change 4 2-3

Additional requirements of higher design values, commensurate with conditions, may be required by the City Engineer if, in his judgment, they are in the best interest of the City. Variations may be permitted based solely on sound engineering practice and will be reviewed and approved by the City Engineer's Office on an individual basis. Such variations must be requested in writing along with sufficient documentation supporting the request. This front driver seat cloth grey manual is genuine and has part numbers 81521TVCA11ZA, 81521TVCA11ZA, 81531TVCA11ZC and 81531TVCA11ZC. You may continue shopping or view your cart and continue to checkout using the buttons below. When finished, click the Share button. View details. Please try again later. Please try again. Please try your search again later. You can edit your question or post anyway. To calculate the overall star rating and percentage breakdown by star, we don't use a simple average. Instead, our system considers things like how recent a review is and if the reviewer bought the item on Amazon. It also analyses reviews to verify trustworthiness. Please try again later. Please try again. Please try your search again later. You can edit your question or post anyway. We Do Not Ship Outside of the Continental US. Return Policy All items qualify for returns within 30 days of receipt. Buyer is responsible for return shipping on any item that is not damaged. Feedback We take our reputation seriously, we buy and sell online, so we understand the value of trust. If you are unsatisfied with your order, please contact us and we will work with you to resolve it to your satisfaction. Exported By ExportYourStore To calculate the overall star rating and percentage breakdown by star, we don't use a simple average. Instead, our system considers things like how recent a review is and if the reviewer bought the item on Amazon. It also analyses reviews to verify trustworthiness.

<https://ggccnet.com/images/canon-ip3600-manual.pdf>



Contact Login Sign up 8 photos See the photo gallery Used car CITROEN DS3 Ref. Reezocars Reviews Contact Jobs FAQ Blog Catalog Catalog Used Vehicle Catalogue Catalogue of leased or credit vehicles used Porsche Germany used Audi A3 Sline Germany Used car leasing Leasing Audi Leasing Mercedes Classe A Others Others What is a Leasing used car. Financing CGU CGV Legal notices Languages English Reezocar.com Francais Reezocar.com English Reezocar.be Dutch Reezocar.be Francais English Reezocar.com Francais Reezocar.com English Reezocar.be Dutch Reezocar.be Francais Reezocar 2020 All rights reserved By continuing to browse this site, you accept the use of cookies to provide you with offers and services tailored to your interests and to compile visit statistics. More information I agree. It has a floating center axle. All driving axles powered. The refrigerator car is painted and lettered with vacation themes. Contents Oval of track consisting of 8 sections of curved track and 2 sections of straight track, with feeder connections. Battery controller with speed control and feeder wires. Battery 9 volt transistor unit not included. The set is packed in a seethrough miniature suitcase. As we value your privacy, we hereby ask for your permission to use the following technologies. Processing company Google Ireland Limited Google Building Gordon House, 4 Barrow St, Dublin, D04 E5W5, Ireland Data Purposes This list represents the purposes of the data collection and processing. A consent is only valid for the stated purposes. The collected data can't be used or stored for any other purpose then the purposes listed below. The data needs to be deleted as soon as it is no longer needed for the stated processing purposes. The data will be deleted as soon as they are no longer needed for the processing purposes. Data Recipients Data Recipients Infotext Below you can find a list of countries to which the data is being transferred.

This can be for different reasons like storing or processing. Processing company InnoCraft 150 Willis St, 6011 Wellington, New Zealand Data Purposes This list represents the purposes of the data collection and processing. A consent is only valid for the stated purposes. The collected data can't be used or stored for any other purpose then the purposes listed below. The data needs to be deleted as soon as it is no longer needed for the stated processing purposes. The data will be deleted as soon as they are no longer needed for the processing purposes. Data Recipients Data Recipients Infotext A consent is only valid for the stated purposes. The collected data cant be used or stored for any other purpose then the purposes listed below. The data needs to be deleted as soon as it is no longer

needed for the stated processing purposes. Below you can find a list of countries to which the data is being transferred. This can be for different reasons like storing or processing. A consent is only valid for the stated purposes. The collected data can't be used or stored for any other purpose than the purposes listed below. The data needs to be deleted as soon as it is no longer needed for the stated processing purposes. Each client can choose how long Google Analytics retains data before automatically deleting it. Below you can find a list of countries to which the data is being transferred. This can be for different reasons like storing or processing. Sign in or Create an Account to save your favorites for your next visit. Please try again. Brady's products help customers increase safety, security, productivity and performance and include highperformance labels, signs, safety devices, printing systems and software. Try contacting one of our Therapists in 81521 for guidance. They are moderated by a professional group counselor, group therapist or group psychologist and generally focus on a specific issue or client profile e.g. men or women etc.

<http://www.agrosystem.com.tr/wp-content/plugins/formcraft/file-upload/server/content/files/16275491ac75fe---brother-nx-600-manual.pdf>

Before joining a 81521 support group, first see if the groups issue focus is consistent with your needs. If there are no groups offering support around your issue, feel free to contact these professionals in 81521 to ask for a referral to alternative groups nearby. In a professionally operated support group in 81521, members provide each other with various types of help for a particular shared issue. The help takes the form of relating personal experiences and listening to and accepting others experiences. 81521 group members may also provide a sympathetic understanding and a social network. Group therapists or group counselors lead or facilitate the group and provide group counseling in 81521. They are sometimes specifically trained in group dynamics and the understanding of small group processes. So interpersonal learning, which can involve unfiltered feedback and confrontation between group members and can be threatening is safely moderated by the group therapist or group counselor in 81521. What's the difference between individual and group therapy We can give you the timings and discuss costs and insurance. Your email will go straight to the professional running the support group. Please keep it fairly short i.e. less than 200 words. A confirmation copy will be emailed to you. Follow up with a phone call if you haven't heard from them within 24 hours. However, a copy will be sent to you for your records. Please be if you prefer corresponding via phone, leave your contact number. Call 911 or your nearest hospital. Join The Psychology Today Directory. It is a significant step in ensuring that more patients and their physicians can benefit from the personalized treatment approach that a MammaPrint result can help guide. We have worked closely with CMS to demonstrate the value of our test and are pleased to see the pricing reflect the clinical utility and quality that MammaPrint delivers.

"So far this year, we have seen the clinical utility of our test and the Level 1A clinical evidence that supports it recognized by two major U.S. healthcare providers, ASCO in its exclusive breast cancer guidelines update, and most recently by the AJCC in the revision of its Cancer Staging Manual, 8th Edition. MammaPrint is cleared by the US FDA and carries the CE Mark, enabling the use of the test in the European Union. MammaPrint is indicated for use by physicians as a prognostic marker only, along with other clinical/pathological factors. The test is not intended to determine the outcome of disease, nor to suggest or infer an individual patient's response to therapy. About Agendia Agendia is a privately held, leading molecular diagnostics company that develops and markets genomic diagnostic products, which help support physicians with their complex treatment decisions. Agendia's breast cancer tests were developed using an unbiased gene selection by analyzing the complete human genome. In addition, Agendia has a pipeline of other genomic products in development. The company collaborates with pharmaceutical companies, leading cancer centers and academic groups to develop companion diagnostic tests in the area of oncology. For more information on Agendia or the MammaPrint and Blueprint tests, you can visit Agendia's patient site

at www.KnowYourBreastCancer.com or the corporate site at www.agendia.com. Follow Agendia, Inc. By using this website, you agree to our terms and conditions and privacy policy. Out of these cookies, the cookies that are categorized as necessary are stored on your browser as they are essential for the working of basic functionalities of the website. We also use thirdparty cookies that help us analyze and understand how you use this website. These cookies will be stored in your browser only with your consent. You also have the option to optout of these cookies.

But opting out of some of these cookies may have an effect on your browsing experience. This category only includes cookies that ensures basic functionalities and security features of the website. These cookies do not store any personal information. It is mandatory to procure user consent prior to running these cookies on your website. Side rotary,. GLD Top Roller Plunger Figure 20. GLE Top Roller Plunger Figure 31. GLE Top Roller Arm Figure 32. GLE Conduit Adapter for 0.514 NPT. All rights reserved. Registrieren Sie sich jetzt. The information originates as engineering design data. The engineering data dictates the development of supporting logistic supportability data that includes the appropriate technical instructions for the operation and maintenance of subject equipment. These instructions support the development of training materials that equipment technicians with the proper knowledge and skills to operate and maintain the equipment. The Sharable Content Object Reference Model SCORM is a set of technical standards for elearning designed to make training more accessible and related content reusable. Posted on March 5, 2020 HKA attending the Aviation Week MRO Americas event 2830 April, 2020 in Dallas, TX. Posted on March 5, 2020 Cost Efficiencies For Manufacturers By Outsourcing Technical Data Development Posted on March 1, 2020 View all blog posts RSS. It is like a Shopping Cart, but instead of inserting items to purchase into your cart, you insert your requests for quotes. You can manage your Request Cart by clicking on the icon Note If you are a dealer, please register here. It is like a Shopping Cart, but instead of inserting items to purchase into your cart, you insert your requests for quotes. The optical head features a nonvolatile memory for storage of wavelengths other than 1300 nm. Simple entry of the wavelength at the power meter ensures accurate measurements. Optical sensors. You can send up to 10 dealer emails at a time, and up to 30 per day.

The Dealer Directory is intended for visitors to make specific business inquiries and should not be used to send bulk emails. We help countries develop policies, leadership skills, partnering abilities, institutional capabilities and build resilience in order to sustain development results. This service is provided by Impactpool. UNDP does not charge a fee at any stage of its recruitment process application, interview, processing, training, visa or other fee. Since logos, emblems, forms, names and addresses are publicly available and can be easily copied or reproduced, applicants are strongly advised to take particular care in applying for vacancies, including undertaking all appropriate measures to protect against such advanced fee frauds. If you believe that you became a victim of such fraud, you may wish to report it to local law enforcement authorities for appropriate action. These will not specifically identify the user. The information will be used internally only for website traffic analysis. If the user provides unique identifying information, such as name, address and other information on forms stored on this website e.g. job applications, such information will be used only for purposes stated and will not be shared with parties outside of UNDP or published for general access. UNDP, however, assumes no responsibility for the security of this information. For any questions about how UNDP discloses its information, please see the Information Disclosure Policy. Its required. The jurisdictionspecific rates shown add up to your minimum combined sales tax rate. The total rate for your specific address could be more. To review these changes, visit our statebystate guide. AvaTax delivers realtime sales tax rates and uses advanced technology to map rates to exact address locations, based on the latest jurisdiction requirements. Please consult your local tax authority for specific details.

For more information, visit our ongoing coverage of the virus and its impact on sales tax compliance.

Tell me more! Access to this feature is available in the following products FindACode Essentials FindACode Professional FindACode Facility Base sign IN sign UP You will be able to see the most common modifiers billed to Medicare along with this code. Access to this feature is available in the following products HCC Plus FindACode Professional FindACode Facility Base sign IN sign UP Available for over 5000 of the most common CPT codes. Access to this feature is available in the following products FindACode Professional FindACode Facility Base sign IN sign UP Access to this feature is available in the following products FindACode Facility Base sign IN sign UP Access to this feature is available in the following products FindACode Essentials FindACode Professional FindACode Facility Base sign IN sign UP. Offers Auto Parts You Can Count On! Our goal is to offer the best auto parts and customer service We also invite you to learn more about our dedication to you, our valued customer. All Rights Reserved. If you'd like to help us, you can email us to let us know what you were trying to do. If the issue persists, you could also try clearing your browser's cookies. Contact Us and we're happy to help. A large range of intake filters and complete intake systems are available for a large range of JDM vehicles. Cooling upgrades are available, including radiators, intercoolers, cooling pipes and oil coolers. These parts include sequential and quick shifters, differentials and clutches. Upgraded handling components are available, including suspension, chassis bracing, roll cages and strut braces. A number of upgraded brake systems and accessories are available to ensure you can stop as fast and consistently as possible. A large number of high quality seats are available to ensure you do not move under harsh cornering. Contact Us if you have any questions and we're happy to help.

Models KP61. QTY 01 Quantity Required 1 Models MS112. QTY 01 Quantity Required 1 QTY 01 Quantity Required 1 QTY 01 Quantity Required 1 Models KP61. QTY 01 Quantity Required 1 QTY 01 Quantity Required 1 QTY 01 Quantity Required 1 QTY 01 Quantity Required 1 QTY 01 Quantity Required 1 QTY 01 Quantity Required 1 QTY 01 Quantity Required 1 If you have any questions, our experienced and friendly customer service team is always happy to help, please send us an enquiry. Cutting Edge Lawn LLC 1 Landscaping Serving Fruita and the Surrounding Area "David was awesome. He showed up on Saturday and did a whole bunch of work for a really affordable price. I know he also does irrigation work and tree trimming. I know he stays pretty busy, and it's easy to see why." more 2. Kokopelli Kraft Lawn Services, Handyman Serving Fruita and the Surrounding Area 3. Landscape Sprinkler Design 1 Irrigation, Lawn Services Serving Clifton and the Surrounding Area "I had an excellent experience with Landscape Sprinkler Design on a relatively large and complex job, turning my 0.5 acre lot with 6 manual valves into a fully automated system. I got a couple of quotes and Larry came in well" more Request a Quote Responds in about 3 hours 7 locals recently requested a quote 4. Another company that actually came out and looked at the work I needed, said he would call in about 23 days with the estimate. It's now been 7 days. Ok, now on to All Property Maintenance. JK Lawns Lawn Services Request a Quote You can request a quote from this business 6. Grand Junction Lawn Care Landscaping 630 Andromeda Way 7. Dependable Landscaping Landscaping Serving Fruita and the Surrounding Area 8. Netty's Landscaping Landscaping Serving Grand Junction and the Surrounding Area Request a Quote You can request a quote from this business 2 locals recently requested a quote 9. Bluegrass Farms Landscaping 1803 M Rd 1 2 3 1 of 3 More Landscaping in Fruita Lawn Services Related Articles Boost Your Curb Appeal in 5 Easy Steps Not here. Tell us what we're missing.

If the business you're looking for isn't here, add it. Add A Business Got search feedback. Help us improve. Get things done with Yelp. Yelp,, and related marks are registered trademarks of Yelp. Some Data By Acxiom.

<https://www.interactivelearnings.com/forum/selenium-using-c/topic/16180/bose-sa2-manual>